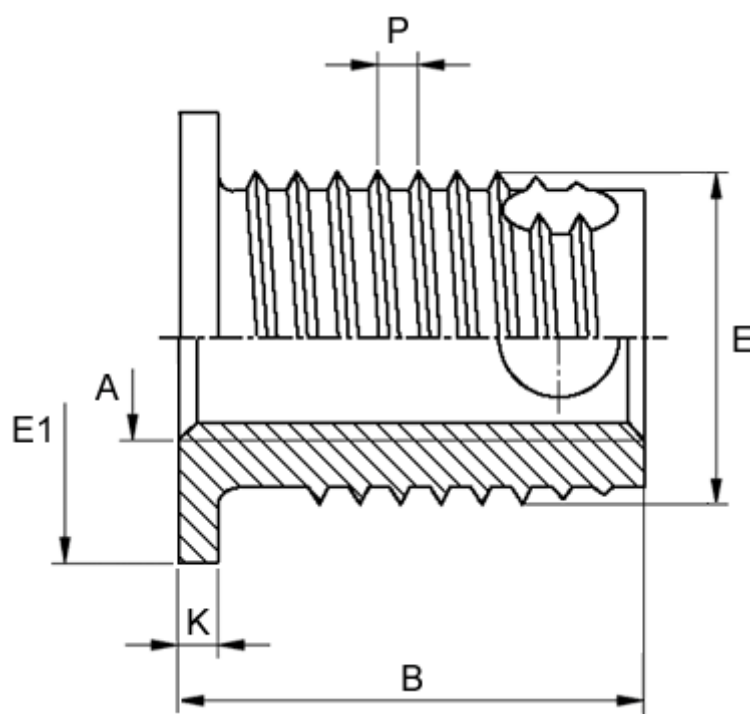


Article number: 12307100100110  
Description: KLEE-coil 307 100 100.110  
M10 Hardened/zinc-plated Blue

## Measures



Female thread A	= M10
Flange diameter E1	= 17
Flange height	= 1.5
Length B	= 11.5
Male thread E	= 14
Min hole depth blind hole	= 13
Thread pitch P	= 1.50
Type	= 307 100 100 ...